

VBMS260AE04  
VBMS255AE04  
VBMS250AE04

## High performance

- Multicrystalline solar cells with module efficiency up to 15.8%\*

\*VBMS260AE04

## Japanese-backed Quality & Reliability

- Panasonic employs strict materials selection and qualified manufacturing process
- Panasonic rigorously tests for reliability and safety, including a longer test period than IEC and safety tests beyond UL testing
- Highly reliable (as of June 2013, failure ratio:0.0029%)

## Salt mist corrosion tested PID\* Free

\*Potential Induced Degradation

- Tested by 3rd party to be PID\* free.
- Salt mist corrosion tested by TUV Rheinland in compliance with IEC 61701



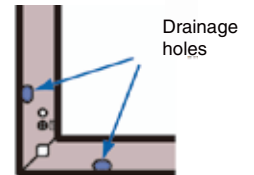
## Anti-reflective coated glass

- AR glass allows greater output



## Effective water drainage

- Prevents damage from ice
- Minimizes water build-up behind panel



# Electrical and Mechanical Characteristics

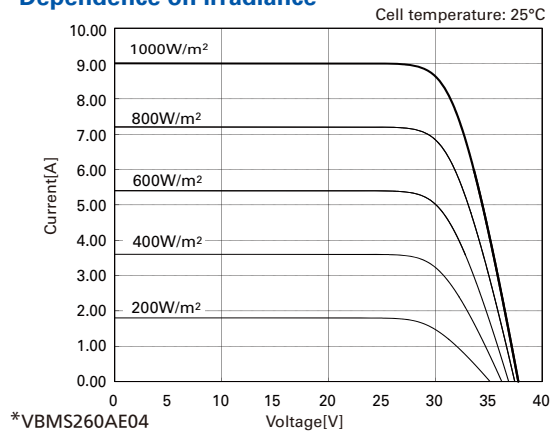
## VBMS260AE04, VBMS255AE04, VBMS250AE04

### Electrical data(at STC)

Max. power (Pmax) [W]	260	255	250
Max. power voltage (Vmp) [V]	30.7	30.5	30.2
Max. power current (Imp) [A]	8.50	8.42	8.30
Open circuit voltage (Voc) [V]	37.8	37.6	37.4
Short circuit current (Isc) [A]	9.01	8.95	8.86
Conversion efficiency module [%]	15.8	15.5	15.2
Output power tolerance [%]	+10/-5*		
Max. system voltage [V]	1000		
No. of internal bypass diodes	4		

Note: Standard Test Conditions: Air mass 1.5; Irradiance = 1000W/m<sup>2</sup>; cell temp. 25°C  
\* All modules are measured with an output with positive tolerance.

### Dependence on irradiance\*



Ambient temperature [°C]      -20 - +40

### Temperature characteristics

Temperature (NOCT) [°C]	44.6
Temp. coefficient of Pmax [%/°C]	-0.446
Temp. coefficient of Voc [V/°C]	-0.129
Temp. coefficient of Isc [mA/°C]	3.50   3.48   3.45

### Warranty (as detailed in the Warranty documentation)

Power output: 25 years  
Product workmanship: 10 years

### Connector

HOSIDEN HSC2009 (male), HSC2010 (female)

### Cable length (+ male / - female)

900/1200 mm

### Materials

Cell material: 6 inch cells  
Glass material: AR coated tempered glass  
Frame materials: Silver anodized aluminium

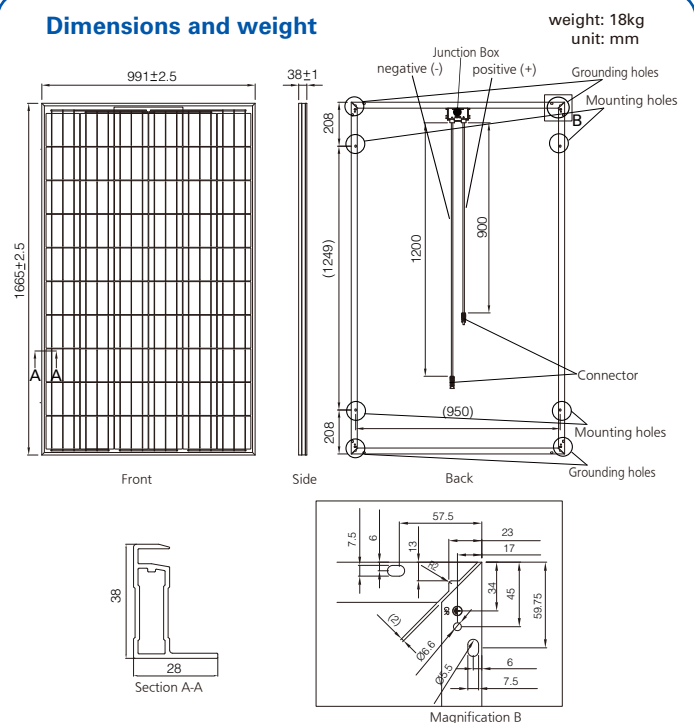
### Certificates



IEC 61730

IEC 61215

### Dimensions and weight



### Packing Specifications

Number of modules per pallet	[pcs]	40
Number of modules per 40ft container	[pcs]	560
Number of modules per 20ft container	[pcs]	240

**CAUTION!** Please read the installation manual carefully before using the products.

Please contact

## Panasonic Corporation Eco Solutions Company

Solar Business Unit, Energy Systems Business Division

■ Head Office: 1048, Kadoma, Kadoma City, Osaka 571-8686, Japan

■ Tel: +81-6-6900-2720 ■ Fax: +81-6-6900-2820

<http://panasonic.net/ecosolutions/solar>

# Panasonic®

All Rights Reserved © 2014 COPYRIGHT Panasonic Corporation

Specifications are subject to change without notice.